



LBZ Alternate Cam Firing Order Wiring Instructions

Factory Firing Order: 1-2-7-8-4-5-6-3

Alternate Cam Firing Order: 1-5-6-3-4-2-7-8

Injector Command Wires for Injectors 2, 5, 7, 6, 8, & 3

(Need Switched on the Engine Side at the Engine Harness to Chassis Harness Connector)

Connectors Before: (Stock)

C107 Connector (Larger 38 pin Connector)

<u>Pin #</u>	<u>Cylinder</u>	<u>Wire Color</u>
A4	2	Light Green / Black
A5	8	Dark Blue / White
B6	3	Pink / Black
B7	5	Black / White

C108 Connector (Smaller 24 pin Connector)

<u>Pin#</u>	<u>Cylinder</u>	<u>Wire Color</u>
A5	6	Yellow / Black
B5	7	Red / Black

Connectors After: (Alternate Cam)

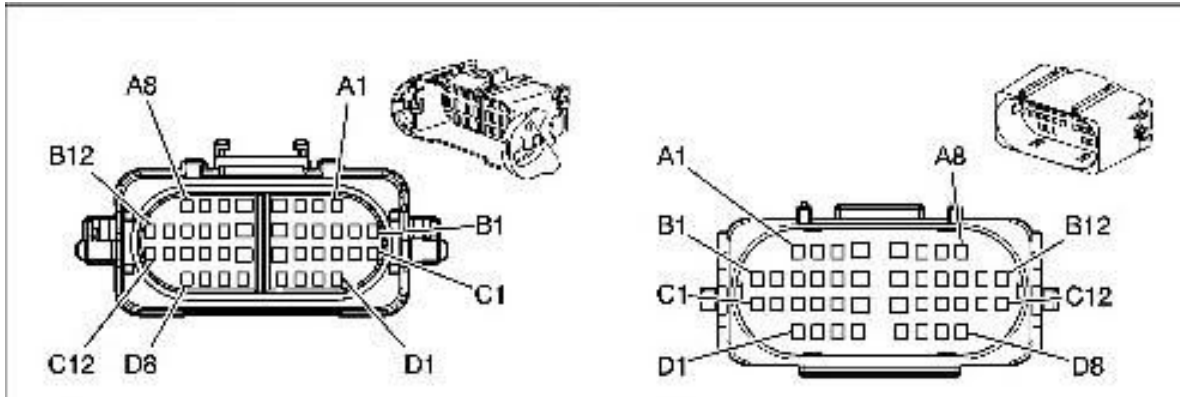
C107 Connector (Larger 38 pin Connector)

<u>Pin#</u>	<u>Cylinder</u>	<u>Wire Color</u>
A4	5	Black / White
A5	3	Pink / Black
B6	8	Dark Blue / White
B7	2	Light Green / Black

C108 Connector (Smaller 24 pin Connector)

<u>Pin#</u>	<u>Cylinder</u>	<u>Wire Color</u>
A5	7	Red / Black
B5	6	Yellow / Black

C107 Connector



C108 Connector

